



Total Food-Service Solutions

## Modular Cooking –Grandis 900

### Gas Indirect Boiling Pan

#### NGBP 100 GR IND



\*Due to routine technical improvement, the photograph shown may not represent the latest design of the products.

#### AVAILABLE MODEL

1. NGBP 100 GR IND

#### DESCRIPTION

Gas Boiling Pan Indirect with 24 kW power rate. Liquid temperature maintained by thermostat with maximum working temperature of 100°C, unit to be installed free standing, can be joined with base cabinet, table stand or cantilever system. Featuring removable clip joint to connect Grandis family product.

ITEM# : \_\_\_\_\_

MODEL# : \_\_\_\_\_

NAME : \_\_\_\_\_

SN : \_\_\_\_\_

#### MAIN FEATURE

- Maximum working temperature of 105°C.
- Operating pressure of 0.55 bar.
- Stainless steel drain cock.
- Front water knob.
- Front distilled water inlet.
- 1 bar manometer mounted on the front panel.
- Multi step lid hinge movement for extra safety.
- Indirect heating for uniform and efficient heating.

#### CONSTRUCTION

- All exterior panels in 304 type of Stainless Steel
- 2 mm SS 316 Boiling Pan inner bottom.
- Orbital top panel anti-scratch finishing.
- Top with 2.0 mm thick surface.
- Side with 0.8 mm thick surface.
- Adjustable ±25 mm Stainless Steel leg.

#### INCLUDED ACCESSORIES

- Extra Nozzle (Main Burner & Pilot Burner)

#### OPTIONAL ACCESSORIES

- Clip Plate for Joining

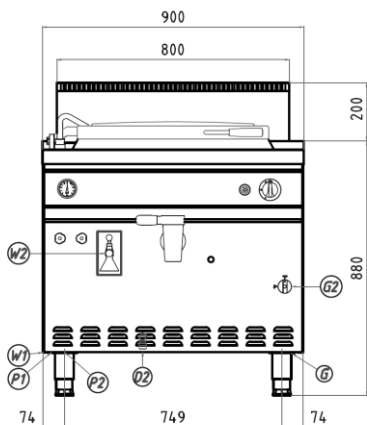
\_\_\_\_\_

The company reserves the right to make modifications to the products without prior notice. All information correct at time of printing.

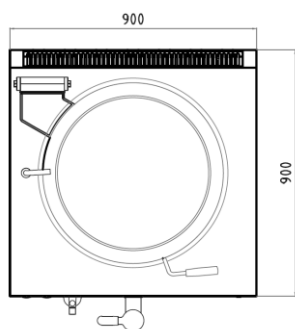
2017.11.21



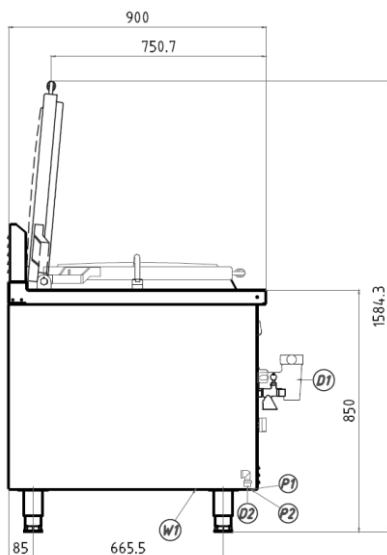
**FRONT**



**TOP**



**SIDE**



\* Overall Dimension in mm

**GAS**

Gas Power	:	24 kW (20,640 kCal/h)
Gas Type Option	:	G30/G31, G20
Gas Inlet	:	R 3/4"
Natural Gas-Pressure	:	G20: 20 mbar
LPG Gas Pressure	:	28-30 mbar/ 37 mbar

**KEY INFORMATION**

Cooking Surface	:	Ø 630 mm
Direct Heat Emission	:	2.4 kW
Latent Heat Emission	:	7.2 kW
Steam Emission	:	10,584 kg / h
Min. Working Temperature	:	-
Max. Working Temperature	:	100°C
Water Inlet	:	1/2"
Drain Connection	:	2"
Water Capacity	:	100 liters
Max Working Pressure	:	0.6 bar
Double Jacket Max		
Working Temperature	:	114 °C
Net weight	:	-
Shipping height	:	1120 mm
Shipping width	:	940 mm
Shipping depth	:	1060 mm
Shipping volume	:	1.115 m <sup>3</sup>